

NCM Alarm Unit

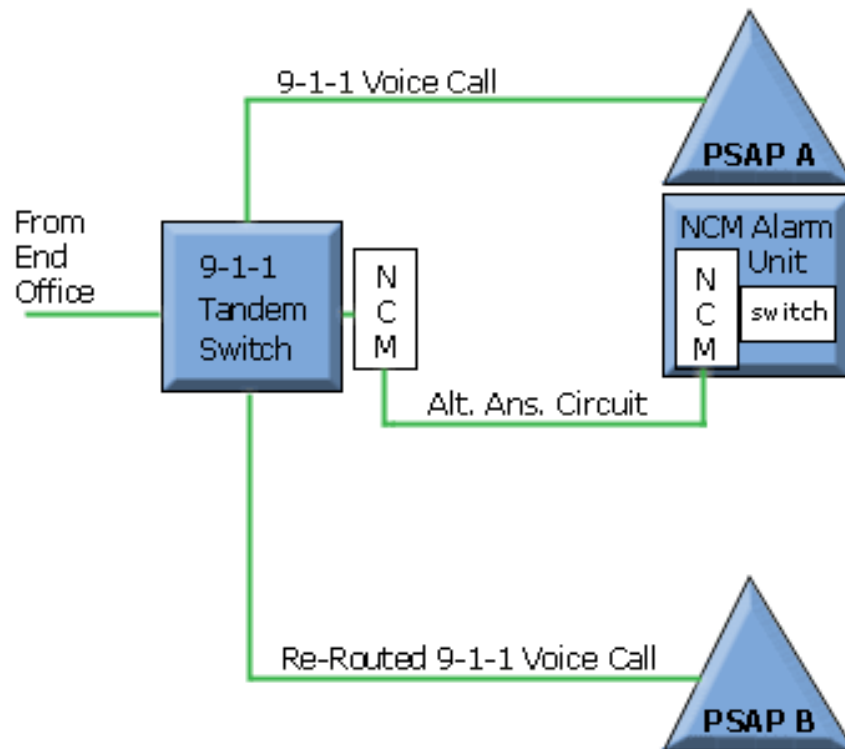


DESCRIPTION

The NCM Alarm Unit will hold one Network Control Modem (NCM) and is used at the PSAP site. It will give an audible and visual signal when the alternate answer circuit monitored fails. The NCM Alarm Unit has switch for PSAP personnel to activate the NCM card to send a signal to the tandem switch to re-route the 9-1-1 calls to an alternate PSAP. The NCM Alarm Unit can also be wall mounted with a bracket supplied.

APPLICATIONS

The NCM Alarm Unit gives the PSAP an audible and visual alarm when the alternate answer circuit fails and provides a transfer switch for the re-routing of 9-1-1 calls to an alternate PSAP.



FEATURES

- Desktop model with bracket that can be mounted to the wall.
- Locking toggle switch to prevent accidental tripping of the switch.
- Audible alarm will sound when circuit monitored fails.
- Red LED will illuminate when circuit monitored fails.
- Alarm mute button provided
- Green LED will illuminate when the transfer signal has been received by the tandem switch successfully.

SPECIFICATIONS

- Power requirement: 12Vdc
(wall outlet transformer included)
- Dimensions (H x W x D): 4 ¼" x 10" x 8 ¼"
- Weight: 3.5 pounds